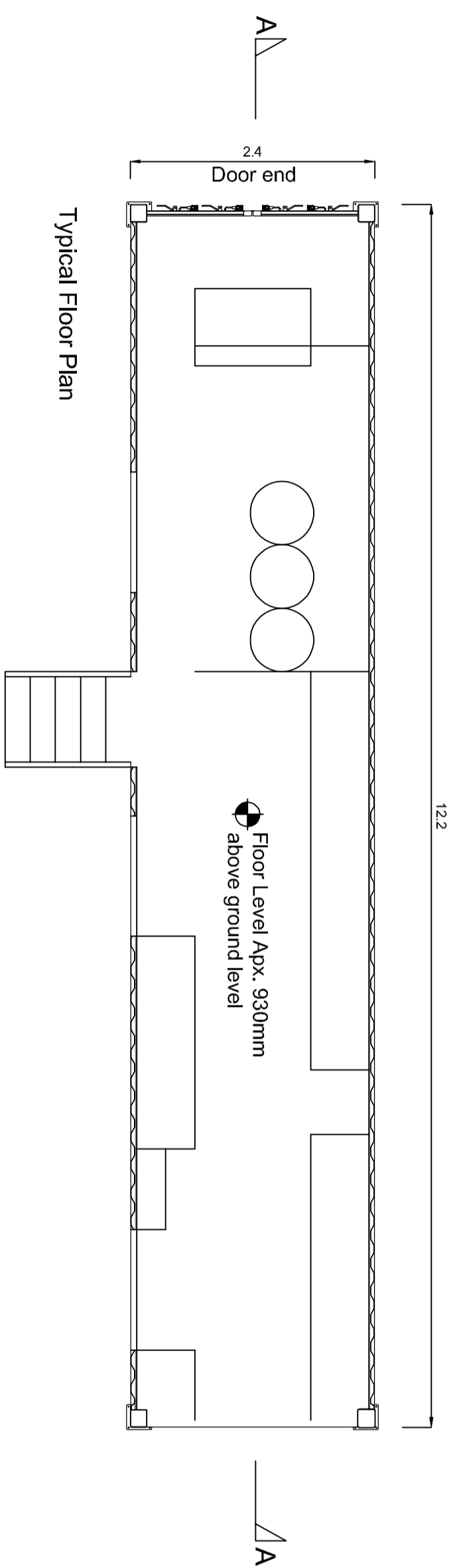
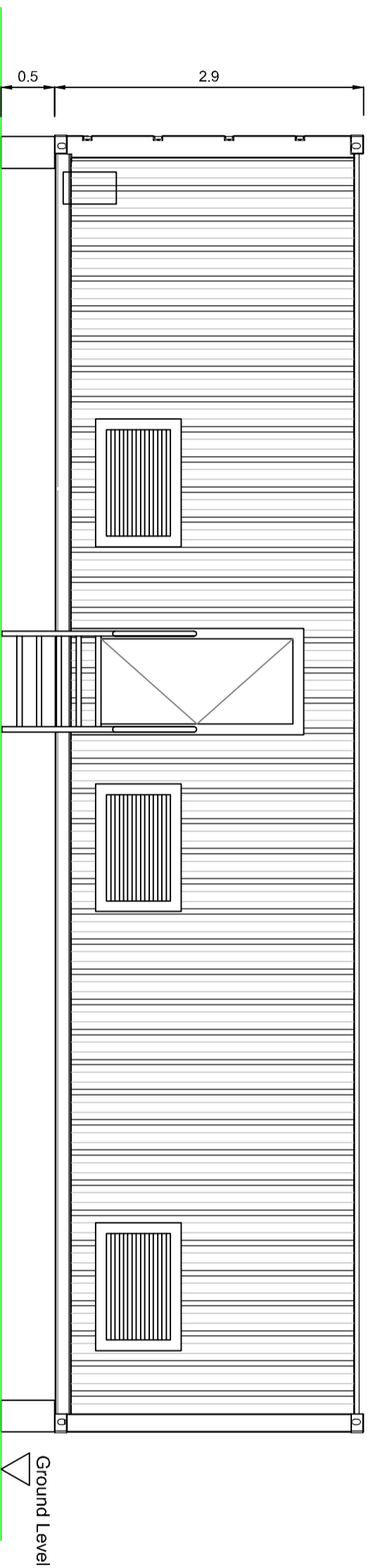


**NOTES**

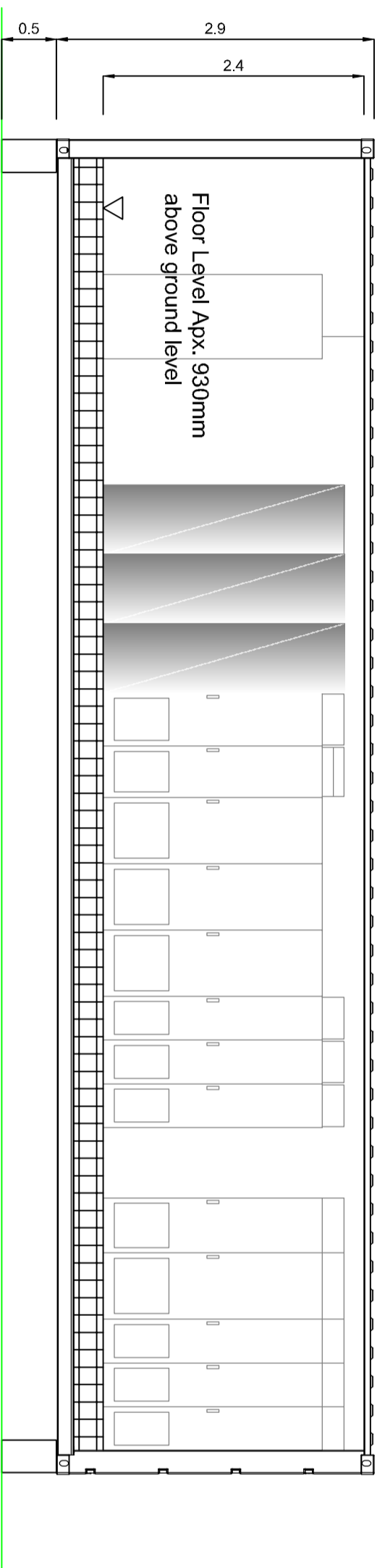
All levels and dimensions in metres unless otherwise specified



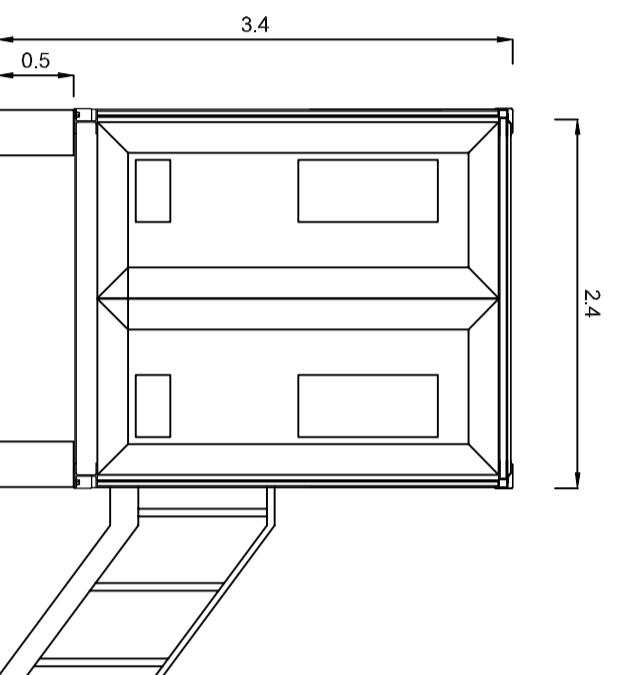
Typical Floor Plan



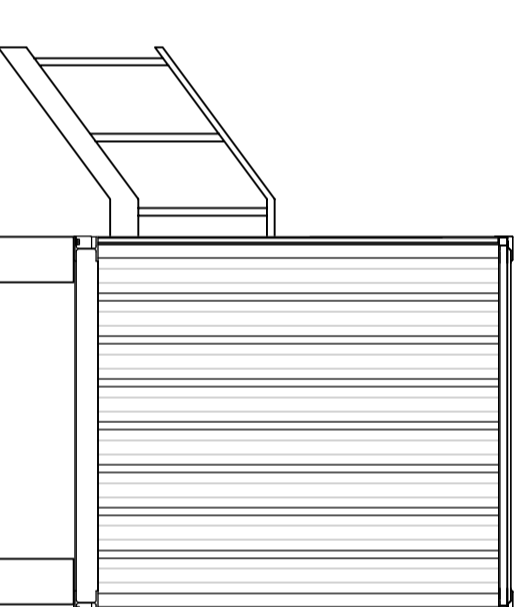
Typical Front Elevation



Section A-A



Typical Side Elevation (Door)



Typical Side Elevation (Solid)

Scale (@ A2) 1:50

Date: 14 NOV 2018

Prepared by:



Client: Awel Aman Tawe

Project: Mynydd Y Gwrhyd Solar Farm

Figure 3-3 Option 1:  
Combined Inverter / Transformer

Dulas ref:  
E05419

Drawn by: DR Checked by: RK

Version: B

Every effort has been made to ensure the accuracy of the information provided on this figure. Dulas Energy Services Ltd. does not accept any liability for errors or omissions in this figure. Dulas Energy Services Ltd. does not accept any liability for any loss, damage or injury resulting from the use of this figure. Dulas Energy Services Ltd. does not accept any liability for any loss, damage or injury resulting from the use of this figure.

